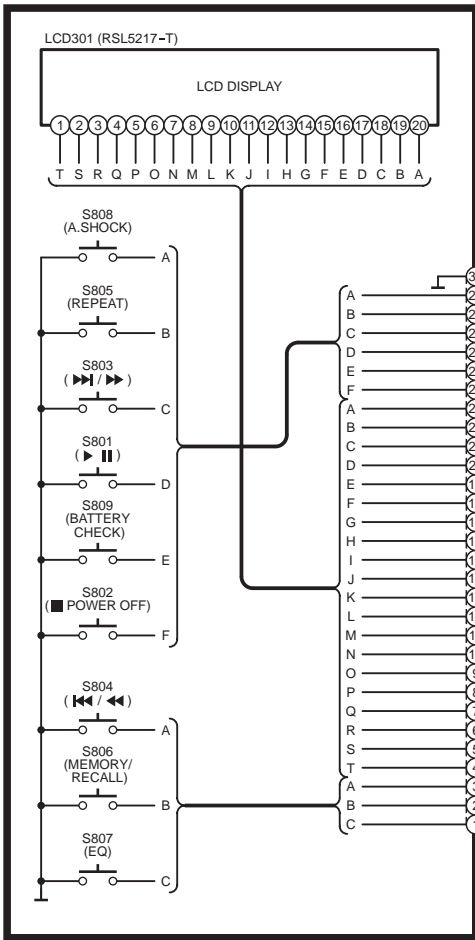
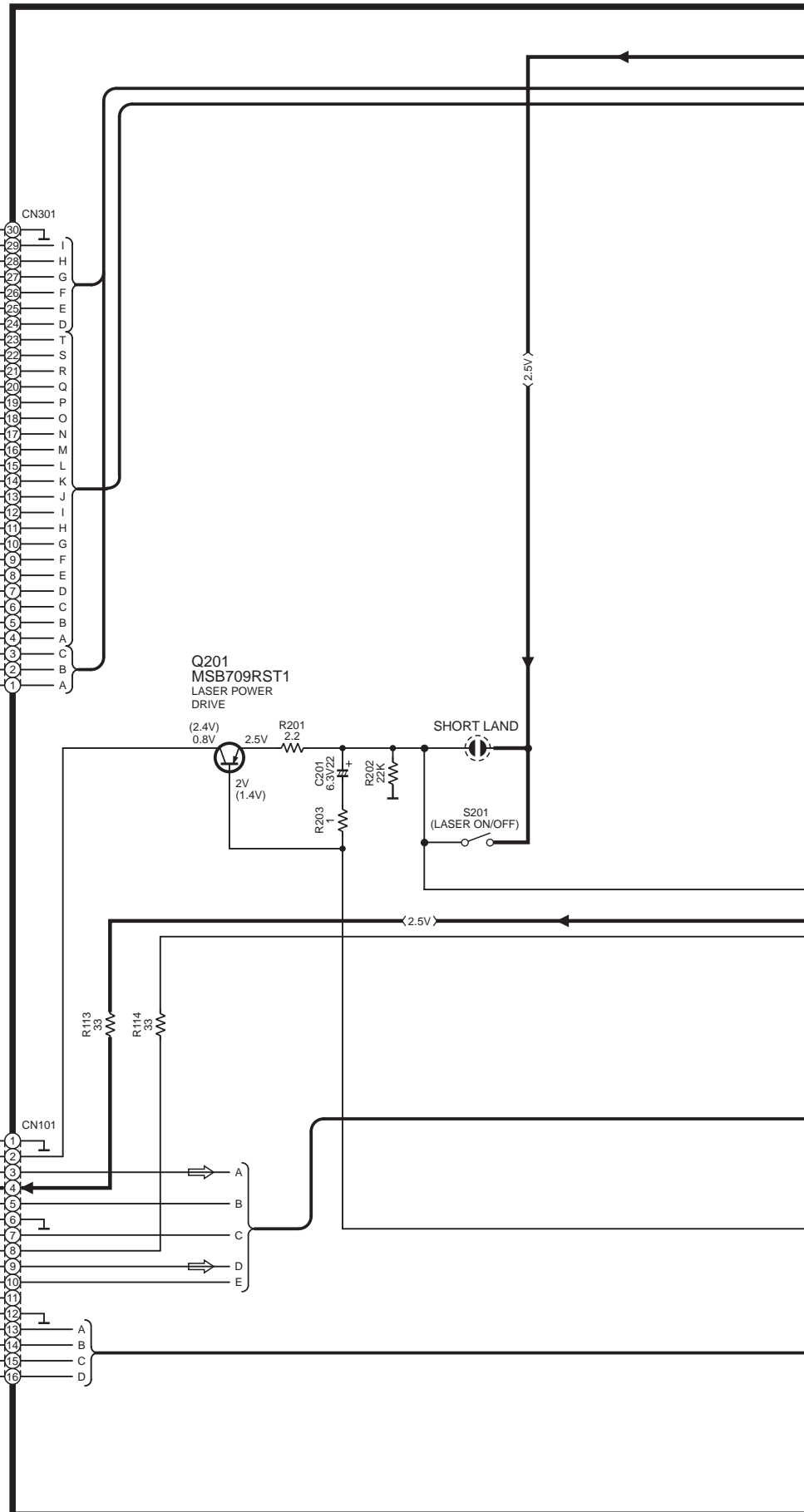
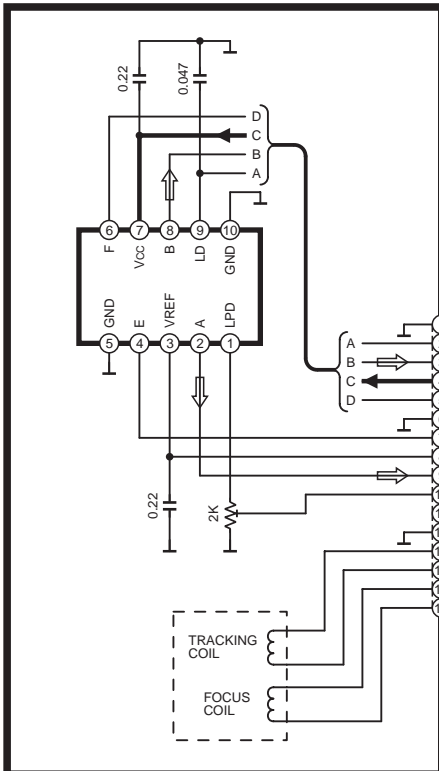
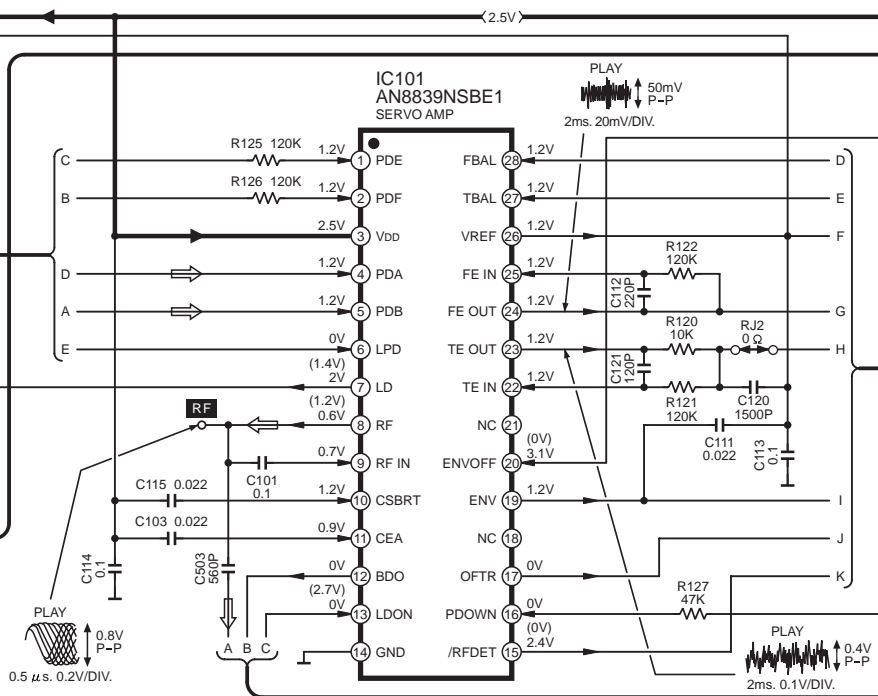
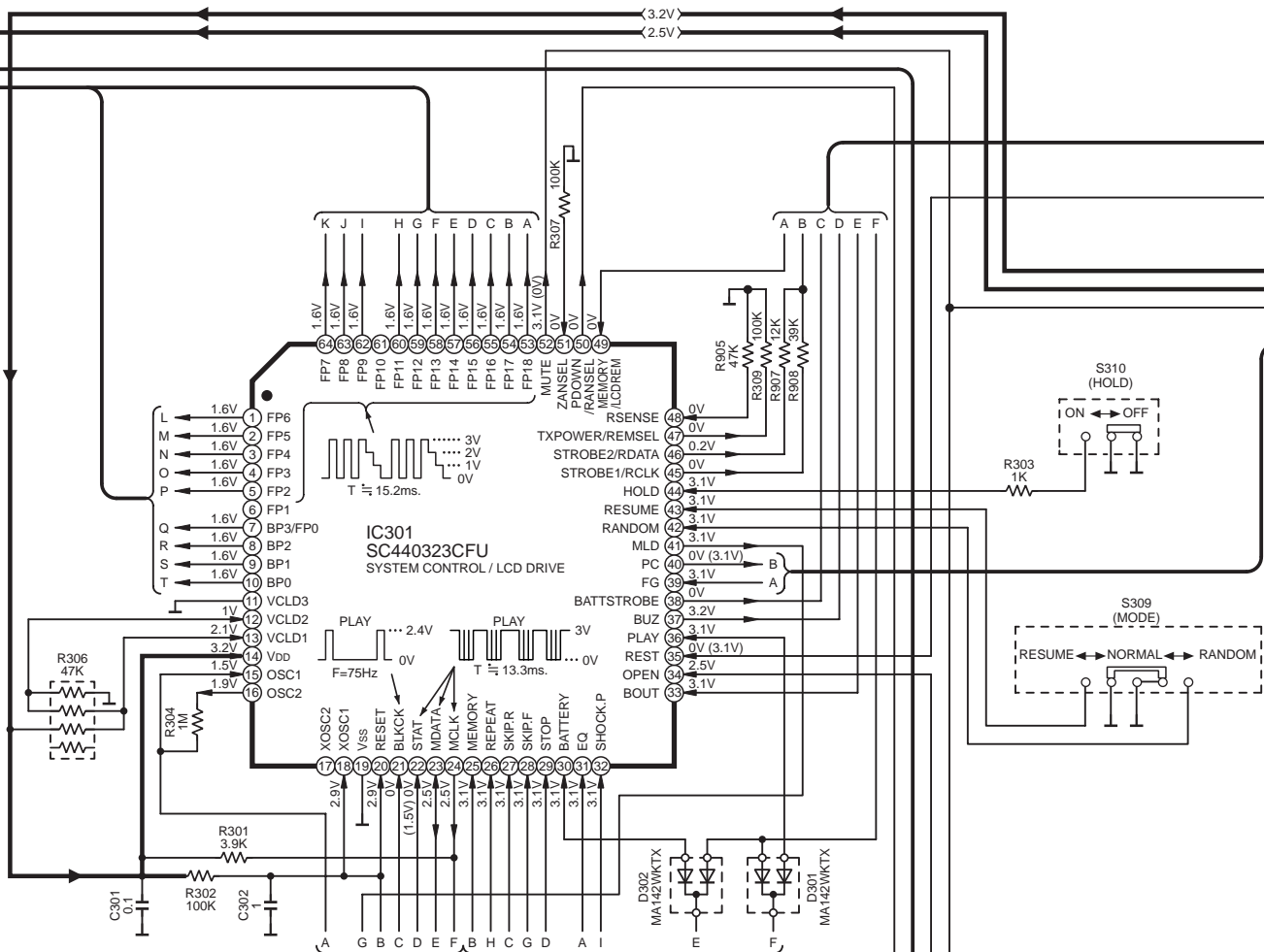


OPERATION / LCD UNIT



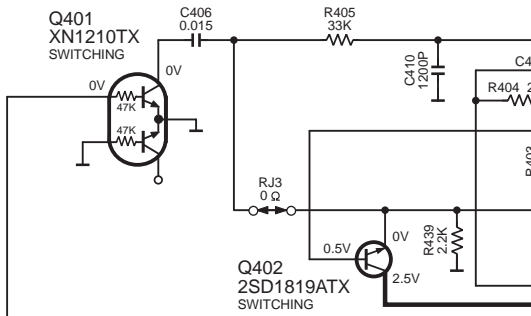
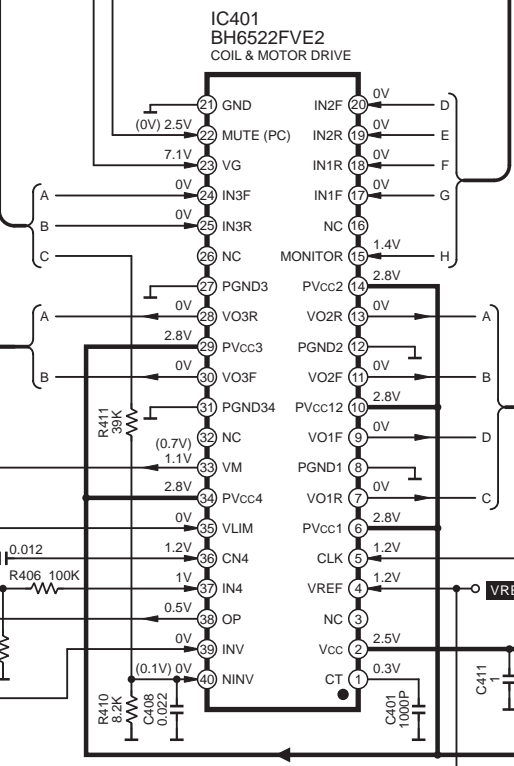
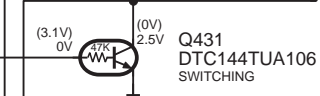
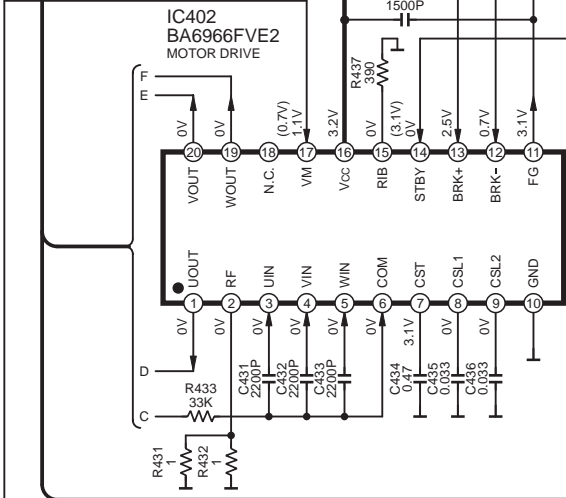
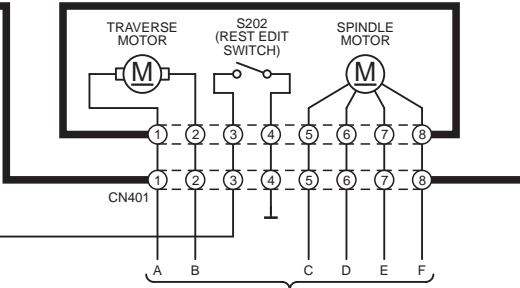
TRAVERSE UNIT
(▲ OPTICAL PICKUP)

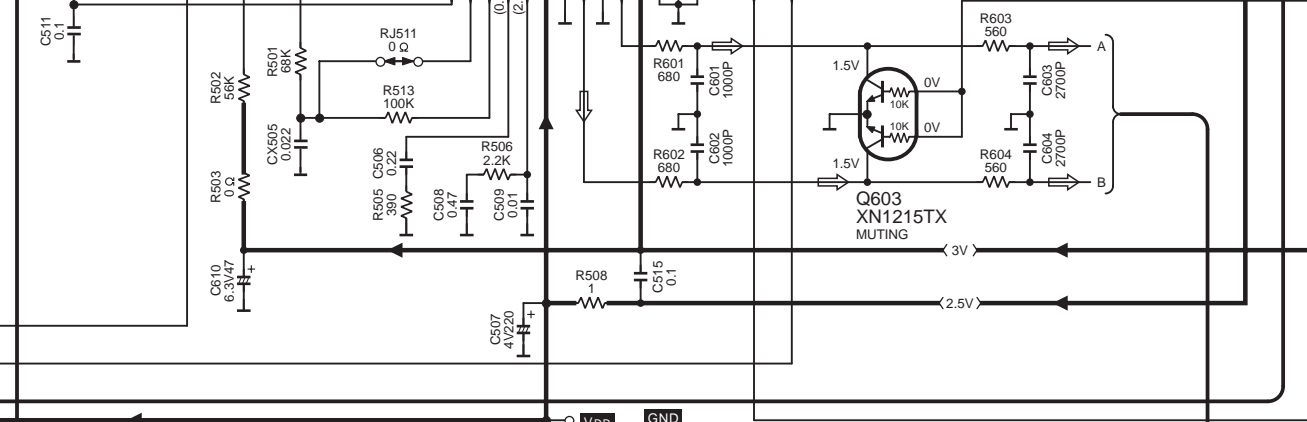
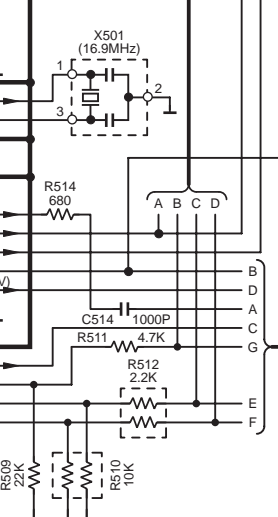
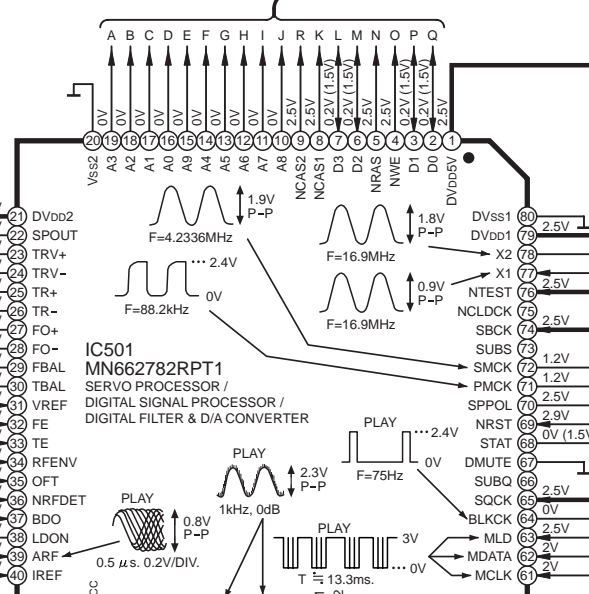
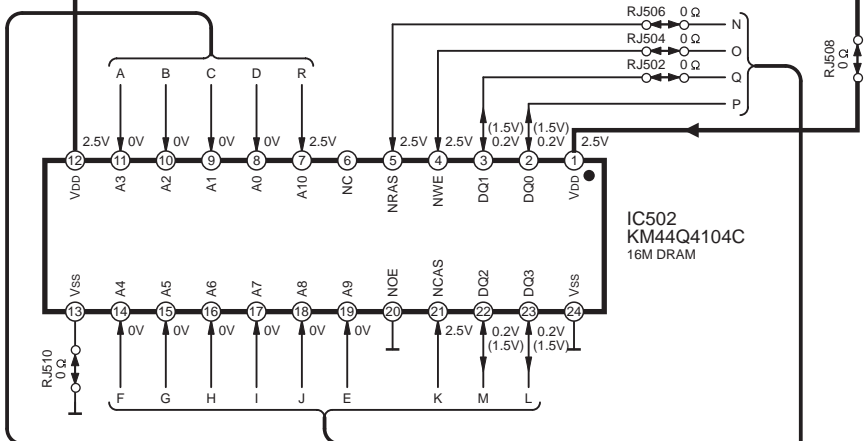
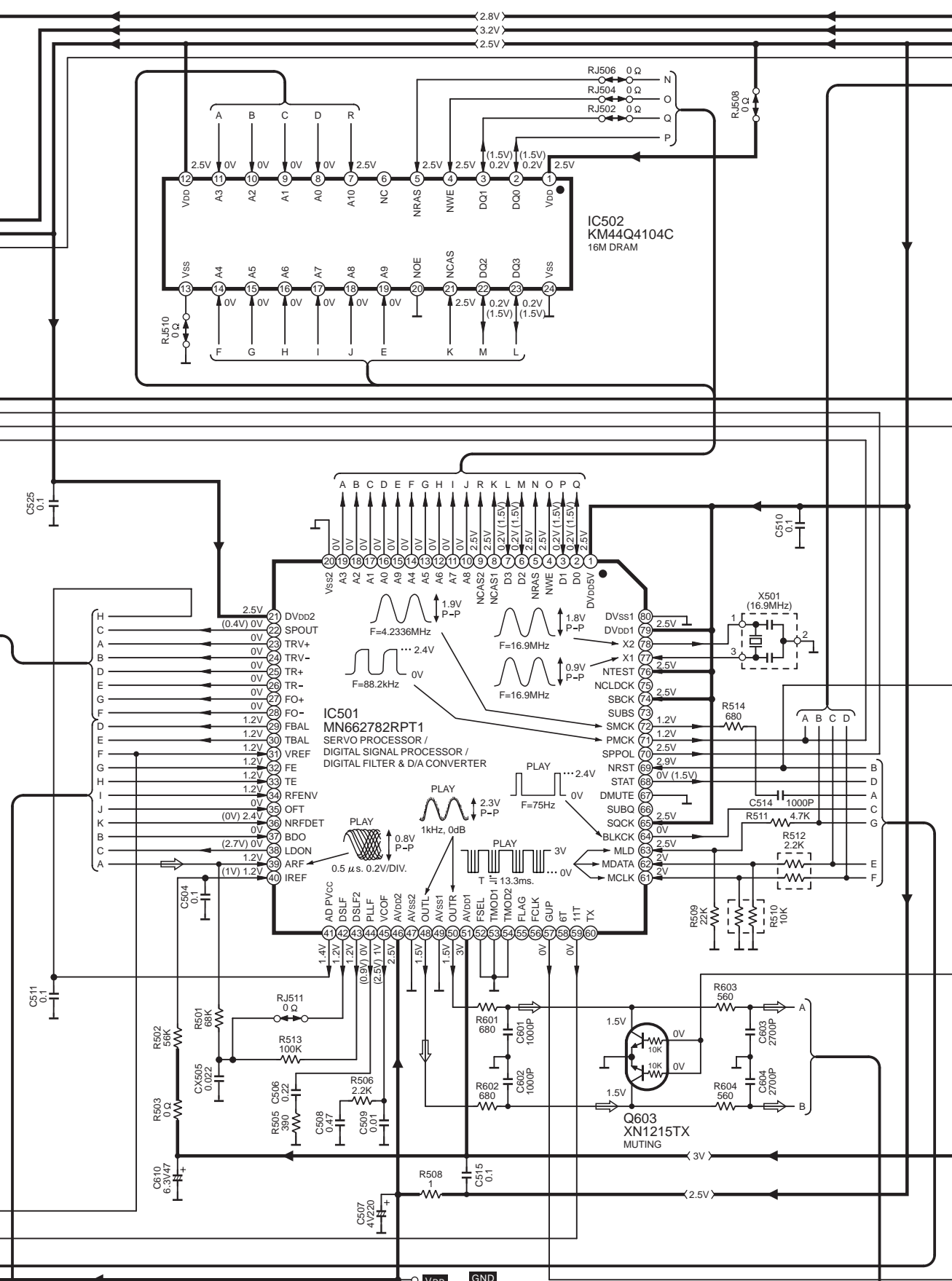




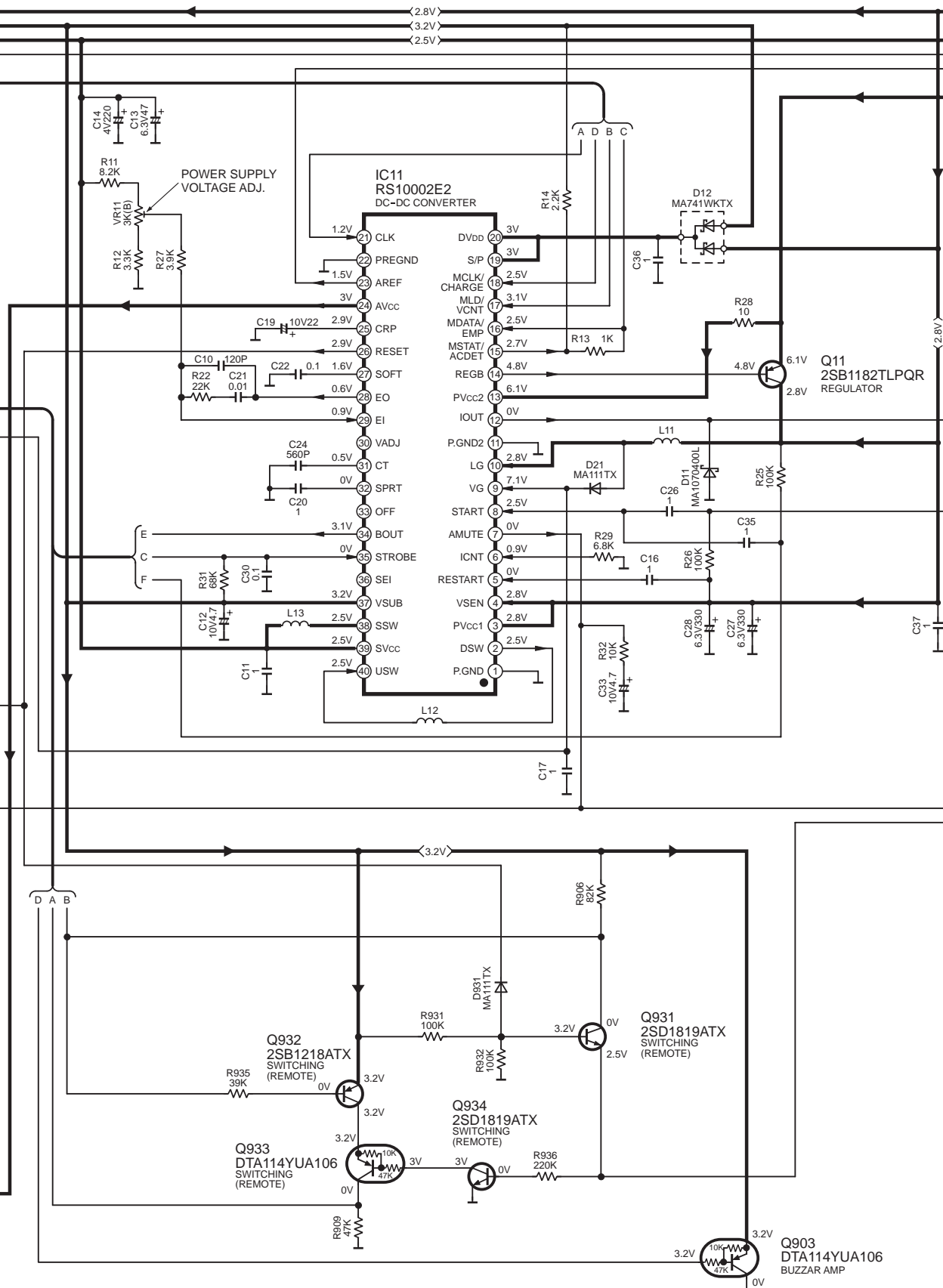
➔ : POSITIVE VOLTAGE LINE ➡ : CD PLAYBACK SIGNAL LINE

TRAVERSE UNIT





→ : POSITIVE VOLTAGE LINE



➔ : POSITIVE VOLTAGE LINE ➞ : CD PLAYBACK SIGNAL LINE

